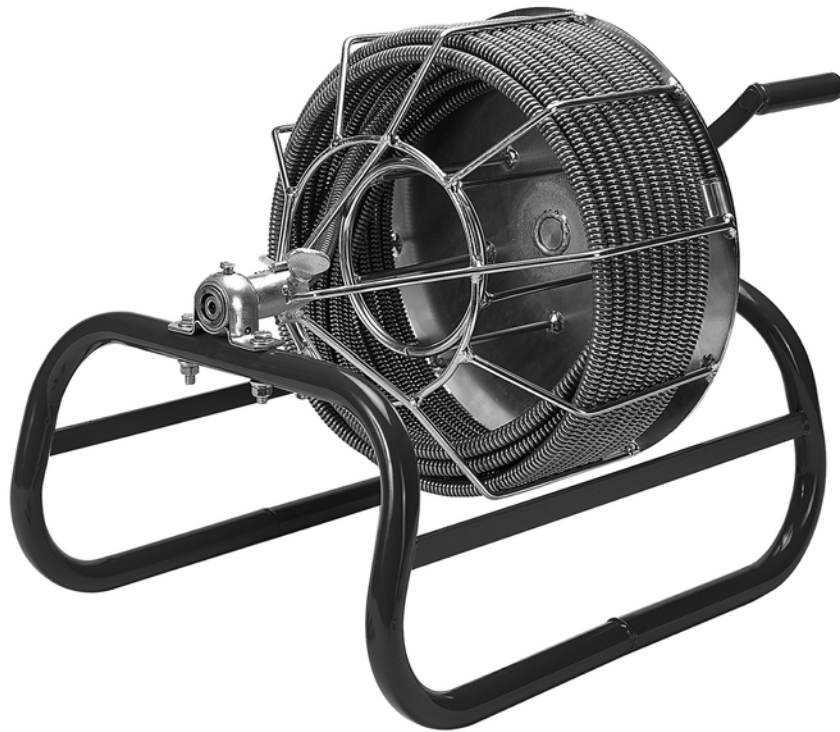


# Electric Eel®

## MODEL K Drain Cleaning Machine

Operator's Manual



Purchase Date: \_\_\_\_\_

Serial Number: \_\_\_\_\_

**!! DANGER !!**

**FOR YOUR SAFETY**

Before you operate or maintenance this equipment, READ this manual carefully and completely!



**ELECTRIC EEL MANUFACTURING CO., INC.**

501 West Leffel Lane, Springfield, Ohio 45506

Call Toll Free: (800) 833-1212 (937) 323-4644 FAX: (937) 323-3767

[www.electriceel.com](http://www.electriceel.com)

*Proudly Made in The USA Since 1939*

## MODEL K – 50' MANUAL

The Model K 50' manual unit utilizes the same 1/2" diameter cable and same tools as the 50' Electric Model E.

### MAINTENANCE

- Clean and lubricate cable after each rental
- Oil pillow block periodically

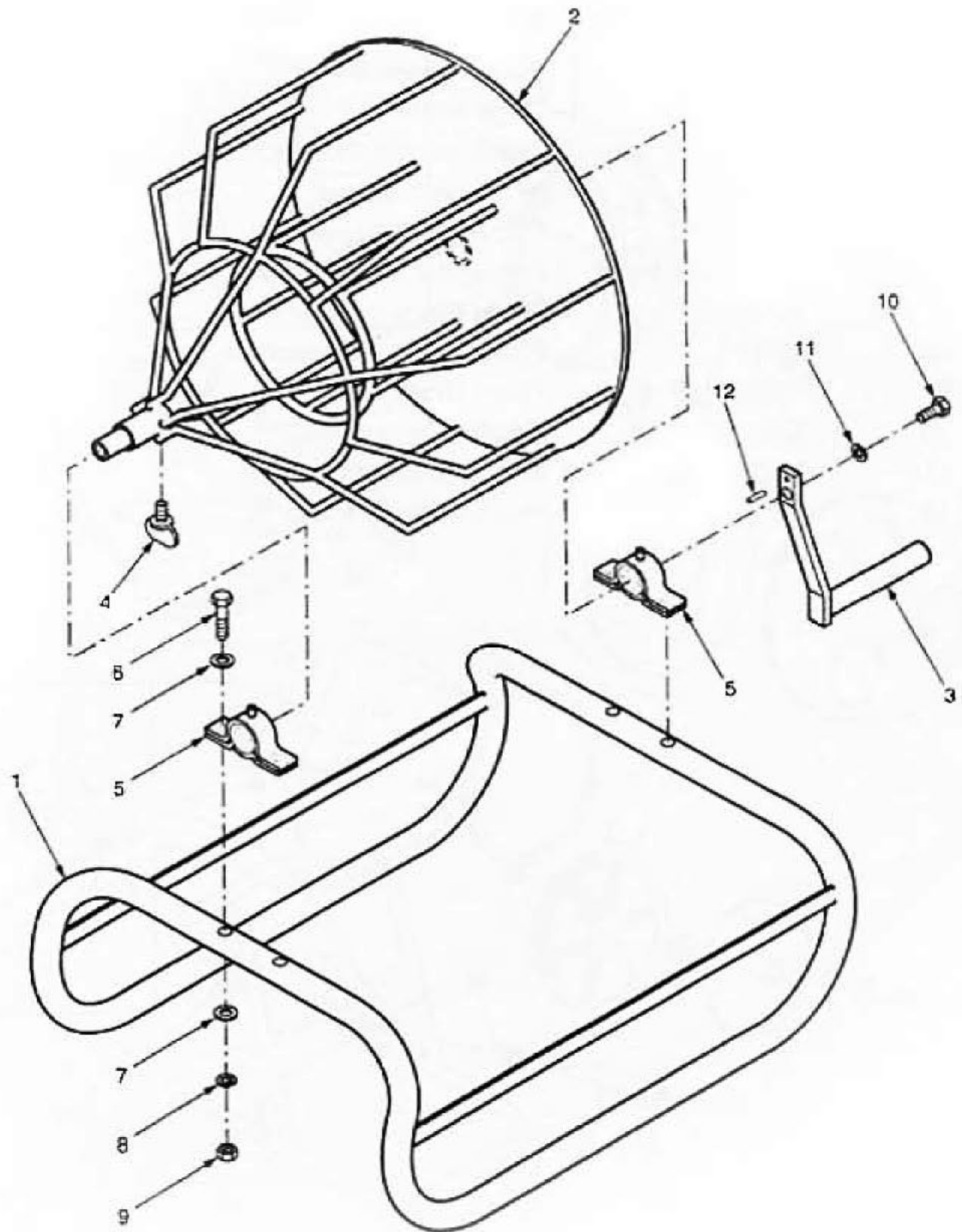
### V. HOW TO REPLACE FP-1A FOOT PEDAL AND HOSE ASSEMBLY

1. Remove old clamp from hose at the TBS3218 air switch connection
2. Remove old hose from TBS3218 air switch
3. Slide new clamp onto the new FP-1A foot pedal hose assembly
4. Slide new hose onto the TBS3218 air switch
5. Pinch clamp into TBS3218 air switch

### MODEL K DRAIN CLEANING MACHINE

ITEM NUMBER	PART NUMBER	DESCRIPTION	AMT
1	K-1A	Frame Assembly . . . . .	1
2	K-2A	Cage Assembly . . . . .	1
3	K-6A	Crank Handle Assembly. . . . .	1
4	TX-3/8	3/8" Thumb Screw . . . . .	1
5	BB816-A	Pillow Block Assembly . . . . .	2
6	CSHH51618134	Pillow Block Capscrews . . . . .	4
7	WA516S	Pillow Block Washers. . . . .	8
8	LW516	Pillow Block Lockwashers . . . . .	4
9	NU51618FHP	Pillow Block Nuts. . . . .	4
10	CSHH381658	Handle Capscrew . . . . .	1
11	LW38	Handle Lockwasher . . . . .	1
12	SP1478	Handle Drive Pin . . . . .	1

# MODEL K DRAIN CLEANING MACHINE



# *Electric Eel*®

**CALL TOLL FREE  
1-800-833-1212**

**ELECTRIC EEL MANUFACTURING CO., INC.  
501 W. Leffel Lane, Springfield, Ohio 45506  
PH: 937-323-4644  
FAX: 937-323-3767**

WARNING: This product can expose you to chemicals including lead, which is known to the State of California to cause cancer and birth defects or other reproductive harm. For more information, go to [www.P65Warnings.ca.gov](http://www.P65Warnings.ca.gov).



**ELECTRIC EEL MANUFACTURING CO., INC.**  
501 West Leffel Lane, Springfield, Ohio 45506  
Call Toll Free: (800) 833-1212 (937) 323-4644 FAX: (937) 323-3767  
[www.electriceel.com](http://www.electriceel.com) *Proudly Made in The USA Since 1939*

Rev. 11/2019